

TeeJet® 744A Sprayer Control

The 744A Sprayer Control provides manual spray control in a compact package. The console features a lighted pressure gauge for night use and heavy-duty switches with LED indicators. The 744A is available in a variety of kit forms using solenoid or ball type control valves.

TeeJet 744A manual Sprayer Control for use with Solenoid or Ball Valves

- Manual spray controller in a compact package.
- Liquid filled 100 PSI pressure gauge.
- Lighted pressure gauge for night use.
- Heavy-duty switches with LED indicators.
- DirectoValve shutoff ball valves are ordered separately for 744A ball valve kits.
- Kits include wiring harness.

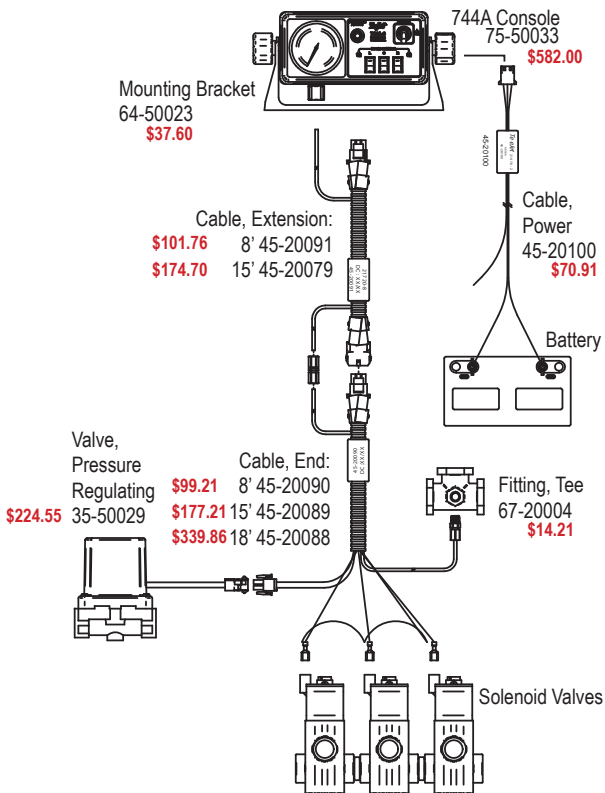


744 MANUAL SPRAYER CONTROL KITS		
PART NO.	DESCRIPTION	Price
90-50161	744A Kit, 100 PSI Liquid Gauge, 3 Switch Console. Contains (1) Console, (1) Pressure Regulating Valve, and Cabling.	\$585.51
90-50163	744A Kit, 100 PSI Liquid Gauge, 3 Switch Console. Contains (1) Console, (1) 3/4" Pressure Regulating Valve, (3) Directo Valve Boom Solenoids, and Cabling.	\$938.61
THE FOLLOWING KIT INCLUDES SPECIAL WIRING HARNESSSES FOR CONNECTING DIRECTLY TO 3-SECTION TEEJET BALL VALVE MANIFOLDS		
90-50238-MP	744A Kit, 100 PSI Liquid Gauge, 3 Switch Console. Contains (1) Console, (1) Pressure Regulating Valve, and Cabling with additional hot wire for TeeJet Ball Valves, LESS BALL VALVES	\$985.75

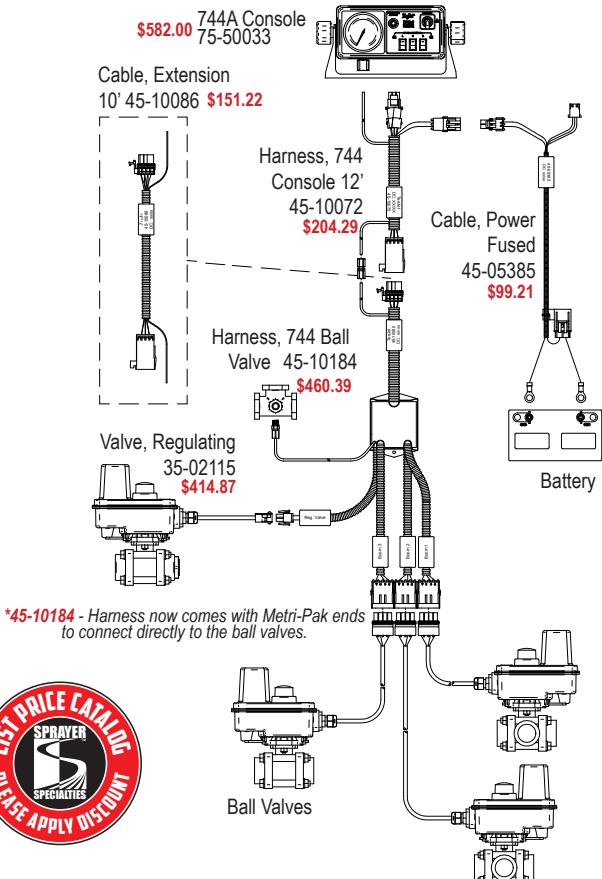
PARTS & ACCESSORIES		
PART NO.	DESCRIPTION	PRICE
CONSOLE		
75-50033	744A Replacement Console	\$582.00
CABLING (For 744 w/ Solenoids)		
45-20100	Cable, Power	\$70.91
45-20091	Cable, 8' Extension	\$101.76
45-20079	Cable, 15' Extension	\$174.70
45-20090	Cable, 8' End	\$99.21
45-20089	Cable, 15' End	\$177.21
45-20088	Cable, 18' End	\$339.86

PARTS & ACCESSORIES		
PART NO.	DESCRIPTION	PRICE
CABLING (For 744 w/ Ball Valves)		
45-10072	Cable, 12' Console Fused	\$204.29
45-05385	Cable, 8' Power Fused	\$99.21
45-10184	Cable, 9' Flow w/ MetriPak Ends	\$460.39
45-10086	Cable, 10' Extension	\$151.22
REGULATING VALVES		
35-50029	Regulating Valve (for use w/ Solenoids)	\$224.55
**Old part# 21773-244C-3/4		
35-02115	Regulating Valve (for use w/ Ball Valves)	\$414.87

SYSTEM CONFIGURATIONS 744A With Solenoid Valves

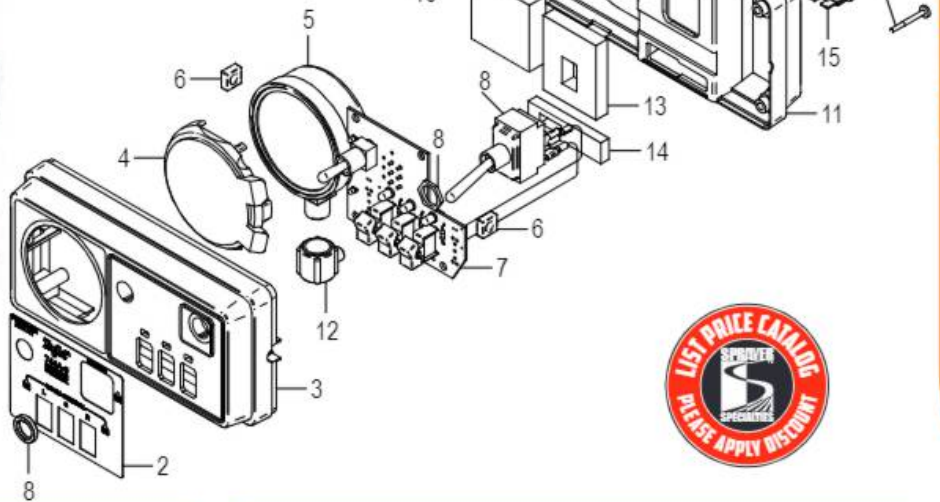


SYSTEM CONFIGURATIONS 744A With Ball Valves





744A Sprayer Control Replacement Parts



REPLACEMENT PARTS

REF#	PART NO.	DESCRIPTION	PRICE
1	60-50020	Knurled Nut, Brass Nickel Plated	\$5.74
2	84-20002	Graphic Panel	\$25.03
3	64-50024	Front Housing	\$31.30
4	64-50031	Lens Gauge	\$16.90
5	51-20008	100 PSI Liquid Gauge	\$91.84
6	60-50019	Square Nut (2 Required)	\$5.99
7	01-50007	Circuit Board	\$330.34
8	32-50010	Toggle Switch	\$55.80

REPLACEMENT PARTS (Continued)

REF#	PART NO.	DESCRIPTION	PRICE
9	350-2610	Plastic Screw	\$8.44
10	64-50030	Foam Spacer	\$12.63
11	64-50025	Back Housing	\$31.30
12	64-50029	Elbow, Nylon (Black)	\$12.63
13	64-50032	Output Cable Shield, Neoprene	\$8.57
14	64-50026	Receptacle Fuse Shield, Neoprene	\$11.43
15	604-0014	Fuse, 15A	\$11.17