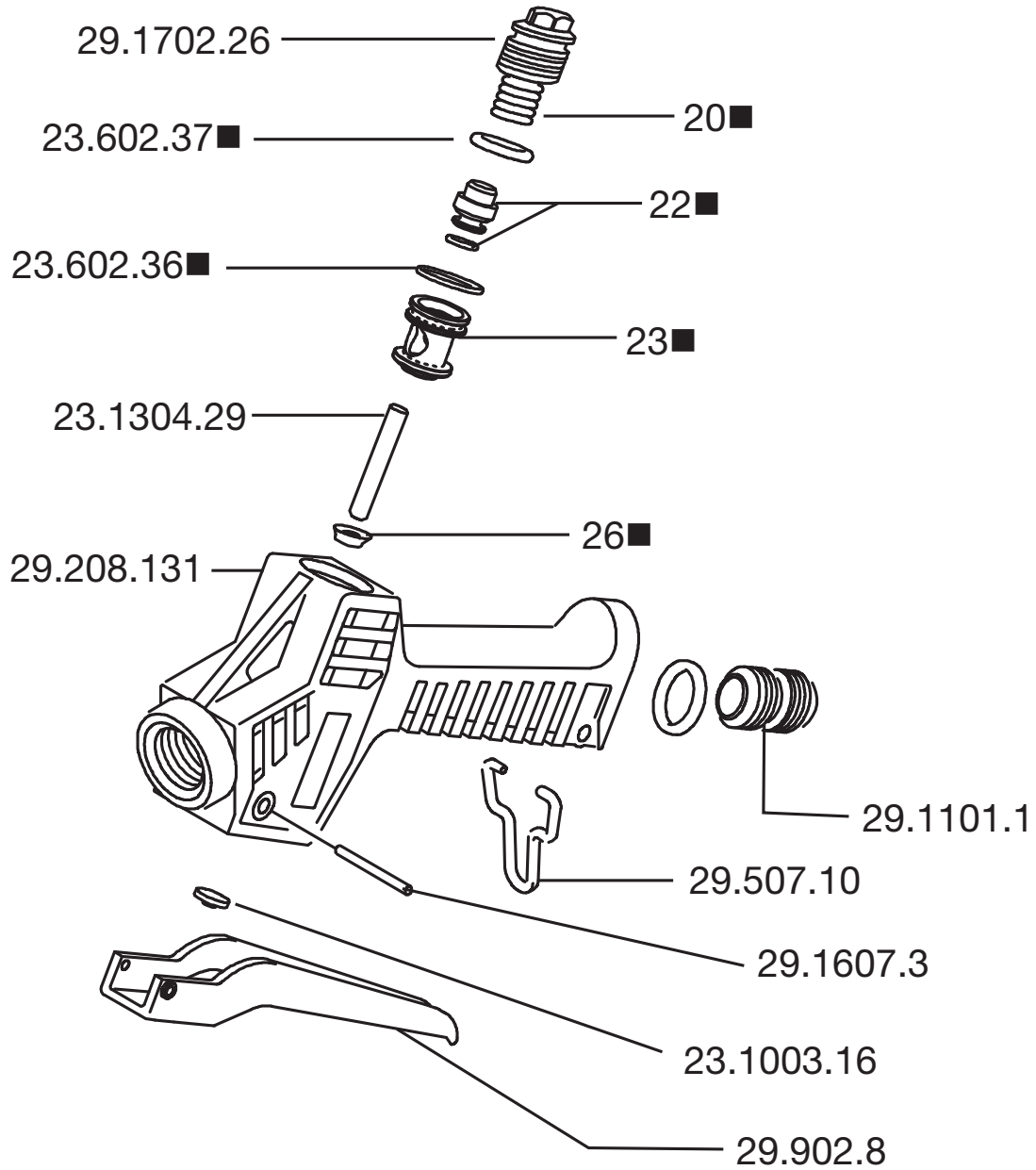


Maximum Flow
Maximum Pressure

15.0 GPM / 57 lpm
850 PSI / 58 bar



Revised 3-3-2022

Part #	Description	Qty
23.1003.16	SPRING	1
23.1304.29	PLUNGER	1
23.602.36 ■	O-RING	1
23.602.37 ■	O-RING	1
29.1101.1	INLET ADAPTER	1
29.1607.3	TRIGGER PIN	1
29.1702.26	PLUG	1
29.208.131	GUN BODY	1

Part #	Description	Qty
29.507.10	TRIGGER CLIP	1
29.902.8	TRIGGER	1
20 ■	SPRING	1
22 ■	POPPET ASSY	1
23 ■	SEAT	1
26 ■	SEAL	1
8711.03	REPAIR KIT	

■ Parts Included in Repair Kit 8711.03