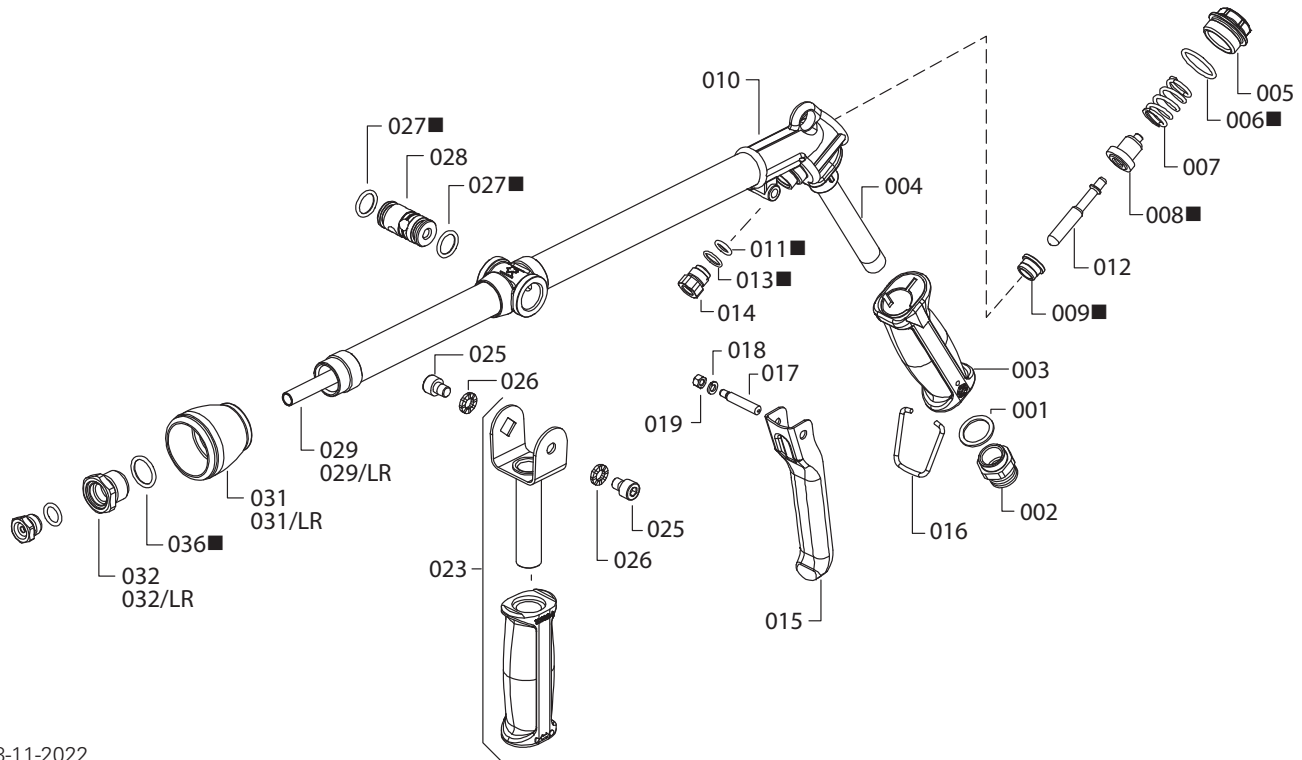


7.901.103 / 13.901.151

Turbine Spray Gun

Long Range Spray Gun

Maximum Flow 25.0 / 30.0 GPM / 95 / 114 lpm
 Maximum Pressure 850 PSI / 58 bar



Revised 8-11-2022

Part #	Description	Qty
001	Washer	1
002	Inlet Adapter	1
003	Handle	1
004	Inlet Tube	1
005	Plug	1
006	O-Ring ■	1
007	Spring	1
008	Poppet ■	1
009	Seat ■	1
010	Body	1
011	O-Ring ■	1
012	Plunger	1
013	O-Ring ■	1
014	Guide	1
015	Trigger	1
016	Trigger Clip	1
017	Trigger Pin	1
018	Washer	1
019	Nut	1
023	Front Grip Assembly	1
025	Bolt	2
026	Washer	2
027	O-Ring ■	2
028	Regulator	1
029	Inner Tube	1
029/LR	Inner Tube - Long Range	1
031	Nozzle Protector	1
031/LR	Nozzle Protector - Long Range	1
032	Nozzle Retainer	1
032/LR	Nozzle Retainer - Long Range	1
036	O-Ring ■	1

Part #	Description	Qty
017	Trigger Pin	1
018	Washer	1
019	Nut	1
023	Front Grip Assembly	1
025	Bolt	2
026	Washer	2
027	O-Ring ■	2
028	Regulator	1
029	Inner Tube	1
029/LR	Inner Tube - Long Range	1
031	Nozzle Protector	1
031/LR	Nozzle Protector - Long Range	1
032	Nozzle Retainer	1
032/LR	Nozzle Retainer - Long Range	1
036	O-Ring ■	1

■ Parts Included in Repair Kit #10/11

Spray Tip Performance Chart

Model	Orifice (mm)	Material	Gallons per Minute / Maximum Spray Distance in Feet				
			100 PSI	200 PSI	400 PSI	600 PSI	800 PSI
68.1802.51	1.5	Ceramic	.78 / 17	1.1 / 20	1.5 / 23	1.8 / 25	2.1 / 27
68.1802.52	1.8	Ceramic	1.1 / 19	1.6 / 21	2.3 / 24	2.6 / 26	2.9 / 28
68.1802.53	2.0	Ceramic	1.4 / 21	2.0 / 24	2.8 / 26	3.4 / 29	3.8 / 32
68.1802.54	2.3	Ceramic	2.0 / 24	2.5 / 29	4.0 / 34	5.0 / 42	5.5 / 45
68.1802.16	2.5	Ceramic	2.5 / 23	3.0 / 28	4.5 / 32	5.5 / 40	6.5 / 44
68.1802.17	3.0	Ceramic	3.0 / 28	4.5 / 29	6.5 / 34	8.0 / 41	9.0 / 44
13.1802.73	3.5	S/S	4.5 / 31	6.0 / 36	8.5 / 41	11.0 / 50	12.0 / 54
13.1802.58	4.0	S/S	5.0 / 35	7.5 / 38	10.0 / 43	13.5 / 53	14.5 / 59
13.1802.59	4.5	S/S	6.5 / 37	9.0 / 39	12.5 / 44	16.5 / 54	18.0 / 62
13.1802.60	5.0	S/S	7.5 / 33	10.0 / 41	14.0 / 47	18.5 / 59	21.0 / 67
13.1802.61	5.5	S/S	8.0 / 35	11.5 / 42	16.0 / 47	21.0 / 59	23.0 / 70
13.1802.75	6.0	S/S	9.0 / 38	12.5 / 44	18.0 / 54	23.0 / 66	26.0 / 74
13.1802.74	7.0	S/S	9.5 / 21	13.5 / 47	19.0 / 57	24.0 / 70	27.0 / 77