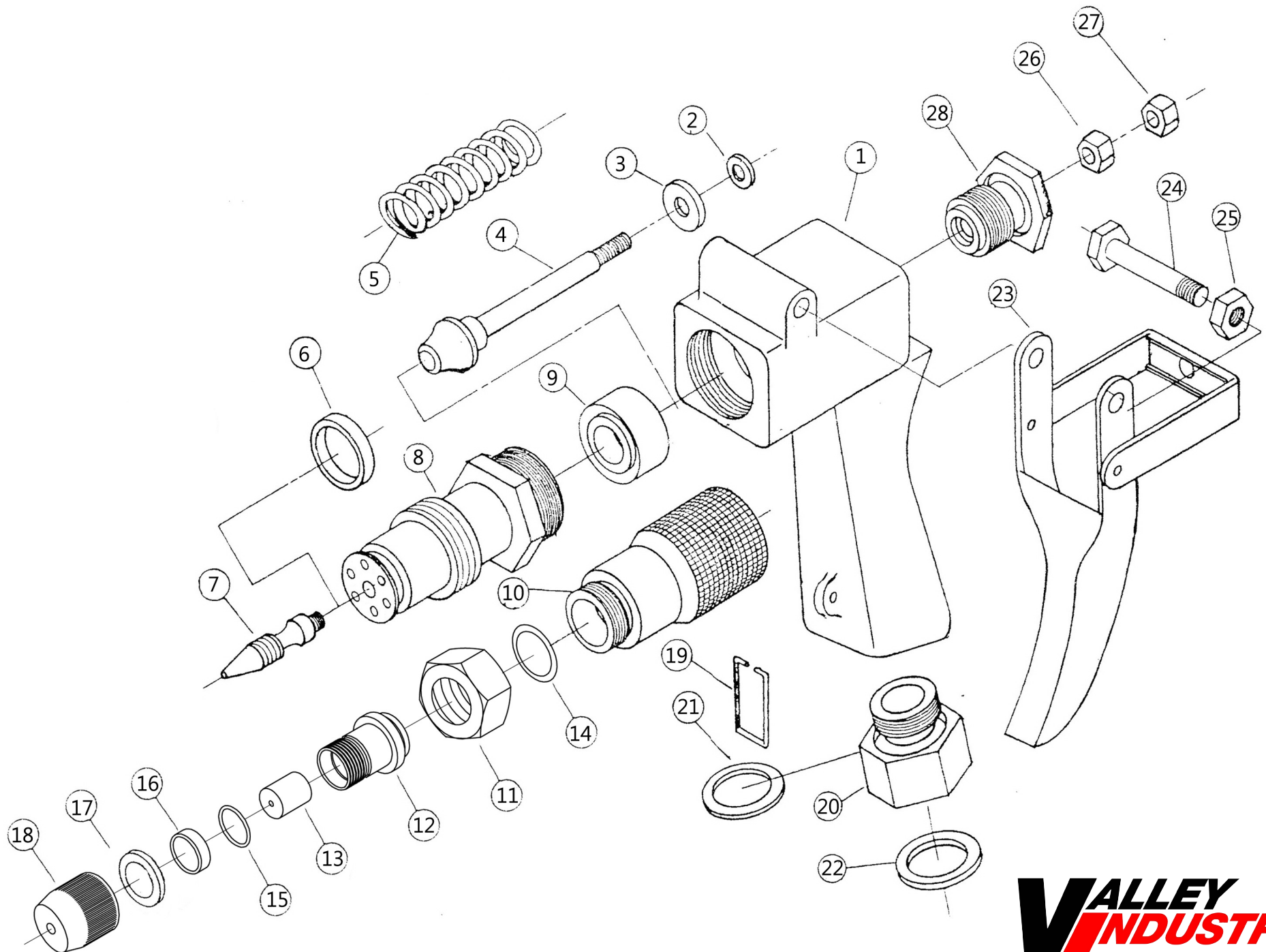


PARTS BREAKDOWN - SG-PC-025





PARTS LIST SG-PC-025

No.	Part#	Part Name	Q'ty	Raw Material	Specification
1	SG-PC-025-1	Grip Housing	1 pc	Aluminum	Heavy Duty AL Casting
2	SG-PC-025-2	O Ring	2 pcs	Viton	P6 (Viton)
3	SG-PC-025-3	Gasket	1 pc	Rubber	Φ15x10x1.0
4	SG-PC-025-4	Valve Shaft	1 pc	Stainless Steel	
5	SG-PC-025-5	Spring	1 pc	Stainless Steel	With Spring Φ13.5x9.5x2.0x9x39
6	SG-PC-025-6	O Ring	1 pc	Viton	P18 (Viton)
7	SG-PC-025-7	Pressure Axle	1 pc	Brass	Left Handed Thread
8	SG-PC-025-8	Adjustable Shaft	1 pc	Brass	
9	SG-PC-025-9	Teflon	1 pc	Teflon	Φ25x10x12
10	SG-PC-025-10	Adjustable Bush	1 pc	Brass	With Anti-Lossen Thread M3x0.5P
11	SG-PC-025-11	Nut	1 pc	Brass	1/2PF
12	SG-PC-025-12	Nozzle Housing	1 pc	Brass	
13	SG-PCN-025	Nozzle Tip 2.5	1 pc	SUS Steel	Old# SG-PC-025-13
14	SG-PC-025-14	O Ring	1 pc	Viton	14 x 2.5 (P14)
15	SG-PC-025-15	O Ring	1 pc	Rubber	
16	SG-PC-025-16	Packing Ring	1 pc	Brass	
17	SG-PC-025-17	Gasket	1 pc	Rubber	
18	SG-PC-025-18	Cap	1 pc	Brass	
19	SG-PC-025-19	Fixed Ring	1 pc	SUS	
20	SG-PC-025-20	Adapter	1 pc	1/2 NPT Brass	
21	SG-PC-025-21	Gasket	1 pc	Rubber	Φ25 x Φ18 x 2.0
22	SG-PC-025-22	Gasket	1 pc	Rubber	Φ27 x Φ18 x 2.0
23	SG-PC-025-23	Trigger	1 pc	SUS	
24	SG-PC-025-24	Trigger Fixed Bolt	1 pc	Stainless Steel	M6 x 1.0p x 45L
25	SG-PC-025-25	Lock-Nut	1 pc	Stainless Steel	M6 x 1.0
26	SG-PC-025-26	Nut	1 pc	Stainless Steel	M6 x 1.0
27	SG-PC-025-27	Nut	1 pc	Stainless Steel	M6 x 1.0p
28	SG-PC-025-28	Plug Nut	1 pc	Brass	With Anti-Drain Rubber Gasket Ring

1-800-864-1649

Valley Industries Paynesville, MN

www.valleyind.com