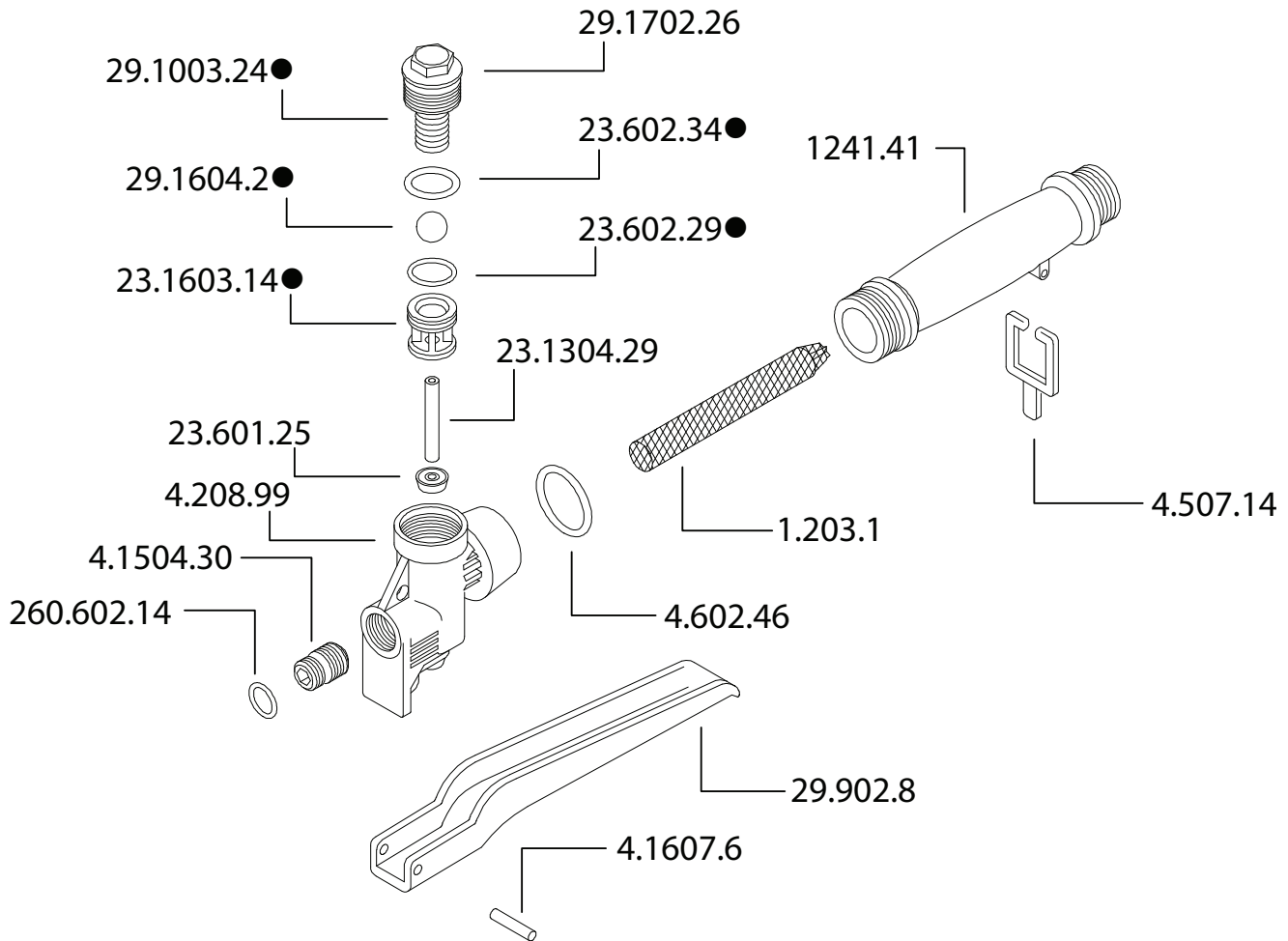


Maximum Flow
Maximum Pressure

5.0 GPM / 19.5 lpm
300 PSI / 20 bar



Revised 11-17-2022

Part #	Description	Qty
1.203.1	SCREEN	1
4.1504.30	OUTLET FITTING	1
4.1607.6	PIN	1
4.208.99	BODY	1
4.507.14	SAFETY CLIP	1
4.602.46	O-RING	1
23.1304.29	PLUNGER	1
23.1603.14 ●	CAGE	1
23.601.25	SEAL	1

Part #	Description	Qty
23.602.29 ●	O-RING	1
23.602.34 ●	O-RING	1
29.1003.24 ●	SPRING	1
29.1604.2 ●	BALL	1
29.1702.26	PLUG	1
29.902.8	TRIGGER	1
260.602.14	O-RING	1
1241.41	HANDLE	1

● Parts Included in Repair Kit 8711.03