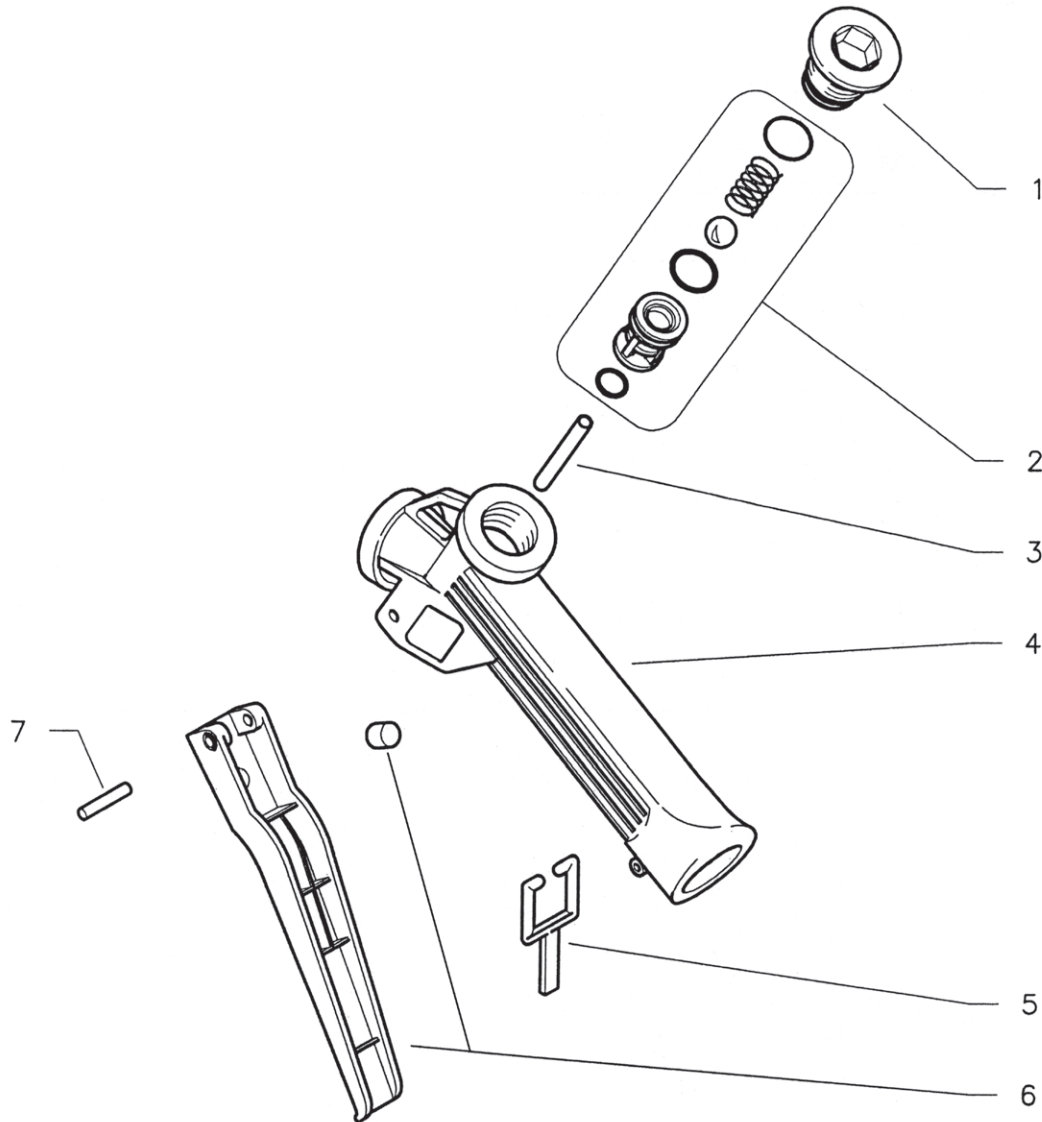


Polypropylene Trigger Valve

Maximum Flow	18.0 GPM / 68 lpm
Maximum Pressure	400 PSI / 27 bar
Inlet Port	1/2" FNPT
Outlet Port	1/2" FNPT

Revised 4-1-2020



Ref #	Description	Qty
1	PLUG	1
2	REPAIR KIT - 8711.07	1
3	INLET PIN	1
4	MAIN BODY	1

Ref #	Description	Qty
5	CLIP - 1241.42	1
6	TRIGGER - 1240.C9	1
7	TRIGGER PIN - 29.1607.3	1